

Virtual Reality Glasses

User's Guide for Model IVR57-1923-01



Features

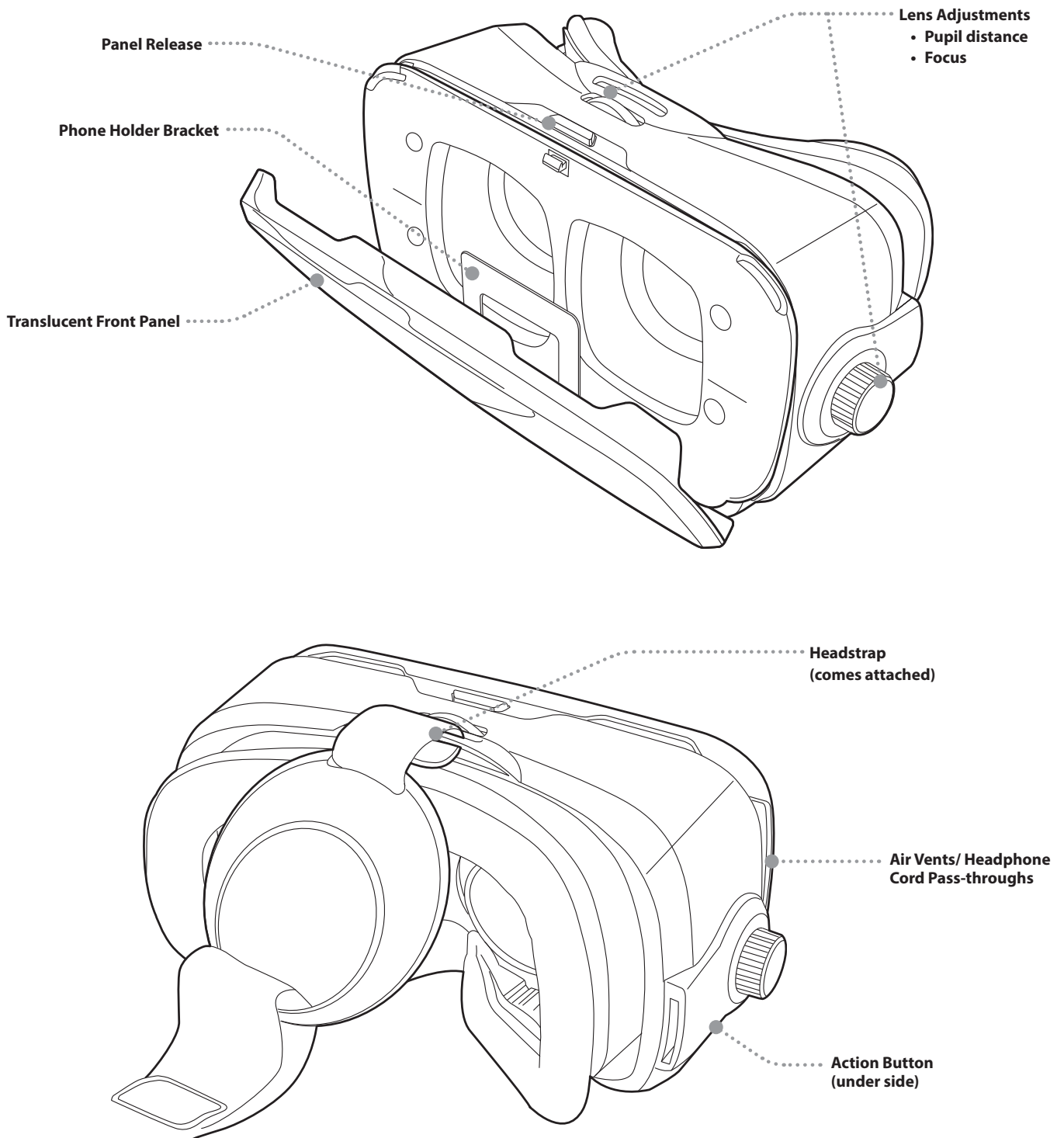
- Suitable for most smartphones 3.5-6"
- 3D video playback and support
- Action button
- Aspheric optical lens
- Lens and focus adjustment
- FOV: 120 degrees
- Adjustable headstrap and foam pad

Includes

- Headstrap
- Cleaning cloth
- User's guide

Warnings and Precautions

- Wearing this device for prolonged periods may cause fatigue. Take breaks as needed.
- Virtual Reality apps may cause epileptic seizures in some people. This device is not intended for people suffering from epilepsy or people sensitive to seizures.
- Do not use while operating a motor vehicle, machinery or performing physical activities.
- Using this device may cause momentary loss of balance, only use in a safe area.
- Do not use while operating a motor vehicle or operating heavy machinery.
- Do not use while performing physical activities.
- **WARNING:** This product may contain chemicals known to the State of California to cause birth defects, or other reproductive harm (California Prop 65). Wash hands after handling.
- This product meets and complies with all Federal regulations.



Download/Start App

Scan a QR code or download a VR app from the Apple App Store or Google Play store. Start the app once it is installed and load your phone into the headset.

Be sure the app is set to display in VR mode (split screen).

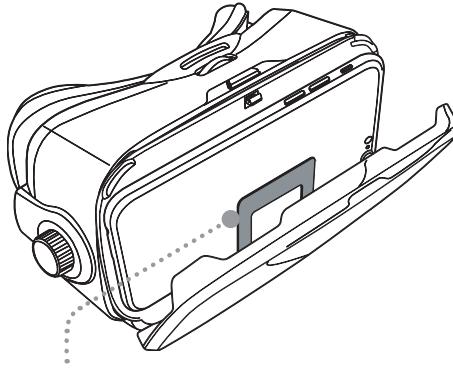
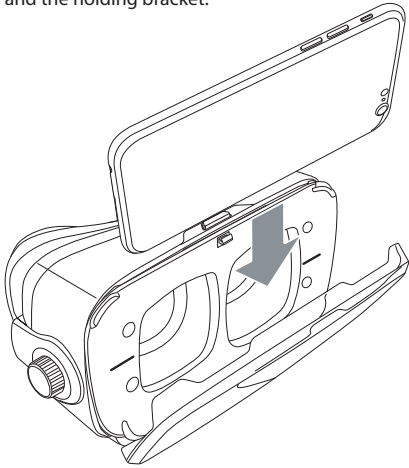


QR code is for example only and does not link to any VR apps.



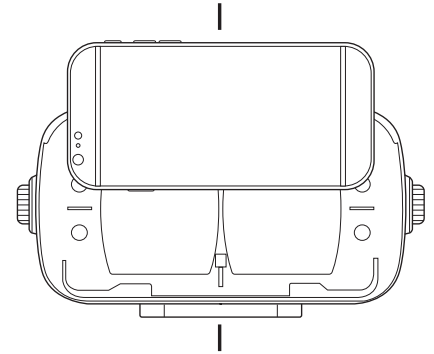
Load Phone into Headset

Press the Tray Release button to open the front panel. Place your phone in the tray area between the headset and the holding bracket.



Make sure the phone holder bracket is pressing against the rear of your phone.

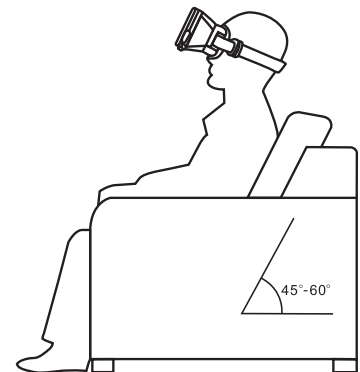
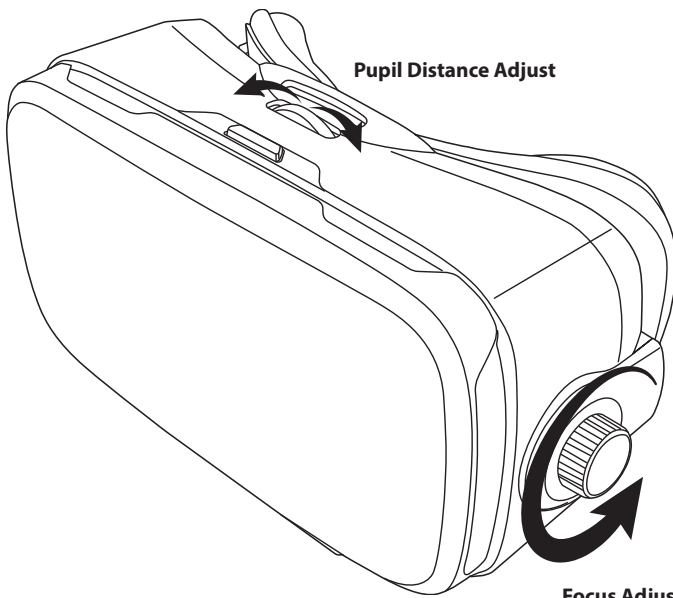
Note: A phone cover or case may interfere with the bracket, remove if necessary.



Align the center line of the phone's screen with the tick mark on the claw grip.

Adjust Headset

Put the headset on and adjust the headstrap and lenses for best fit.



Viewing Angle

When using the headset for an extended period of time, maintaining this angle will help reduce fatigue.

Cleaning

Use a cleaning cloth (included) as needed to keep the lenses clear. **Do not use harsh chemicals or solvents, as they may damage the unit and its parts.**

International Support

To download this User's Guide in English, Spanish, or French, or to get answers to frequently asked questions, visit the support section at: www.iLiveElectronics.com

Para descargar este Manual del Usuario en inglés, español y francés, o para obtener respuestas a preguntas frecuentes, visite la sección de apoyo en: www.iLiveElectronics.com

Pour télécharger ce guide de l'utilisateur en anglais, espagnol ou français, ou pour obtenir des réponses à des questions fréquemment posées, consultez la rubrique d'assistance sur: www.iLiveElectronics.com

For Warranty Information and the most up-to-date version of this User's Guide, go to www.iLiveElectronics.com

Customer Service: 1-888-999-4215 | **Email Support:** prodinfo@dpiinc.com | **Email Parts:** partsinfo@dpiinc.com

Copyright © 2017 Digital Products International (DPI, Inc.) All other trademarks appearing herein are the property of their respective owners. Specifications are subject to change without notice.



**Protect for Today
Sustain for Tomorrow**