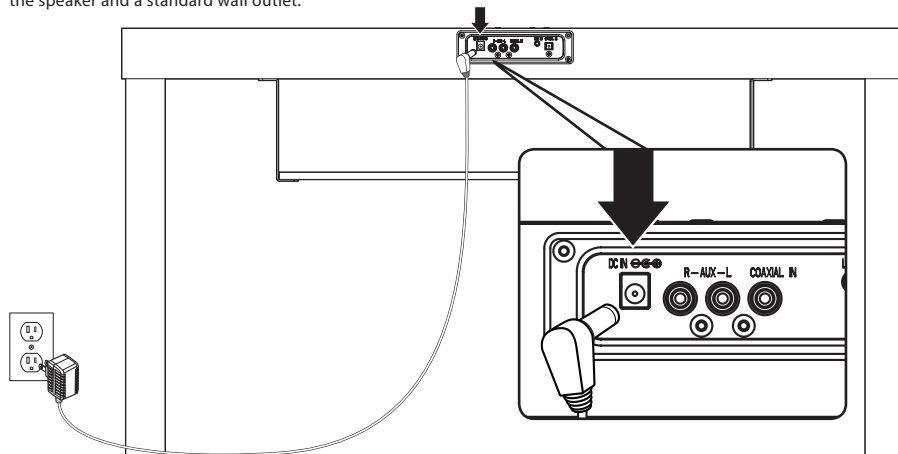


Quickstart Guide



Power




Plug the power cord into the DC Input on the back of the speaker and a standard wall outlet.



Source Mode Indicator LED (front of table)

STATUS	INDICATOR LIGHT
Power Off	Red Light
Bluetooth Standby/Pairing	Slow/Quick Flashing Blue Light
Bluetooth Connected	Solid Blue Light
Optical Mode	Orange Light
Aux In (RCA) Mode	White Light
Coaxial Mode	Purple Light
Line In Mode	Green Light

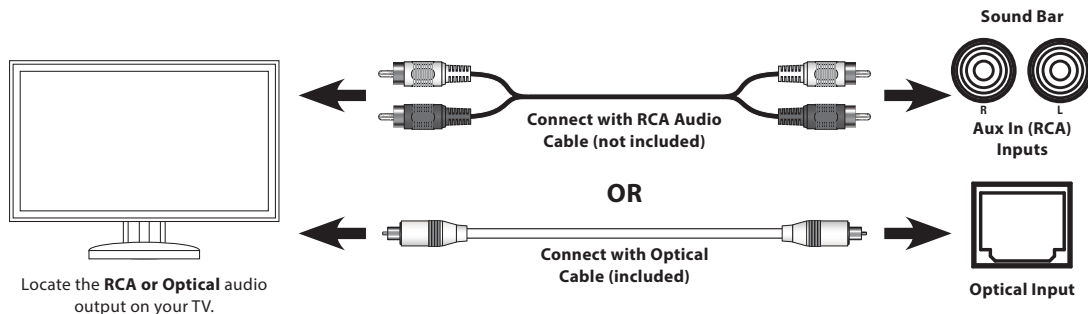
Bluetooth Connection

1. Power on the sound bar by pressing and holding the **Power** button. A voice will say, "Bluetooth," and the LED indicator will slowly flash blue. When pairing, remain within 3 feet of the Bluetooth device.
2. Using the controls on your Bluetooth device, select **ISBT789** in the Bluetooth Settings to pair. If needed, refer to the user's manual for your specific device for more information.
3. When successfully paired, a voice will announce, "Bluetooth is connected," and the LED indicator will turn solid blue. Audio from the connected Bluetooth device will now be heard through the speakers.
4. Use the controls on the connected Bluetooth device to select and play audio. Use the speakers' controls or the connected Bluetooth device to play, pause, and adjust the volume level.
5. After initial pairing, press and hold  until the voice prompt says, "Power on." The speaker will power ON and automatically connect to the last Bluetooth device used. **Note:** If your device should become unpaired or you find it is unable to connect, press & hold the  button ( on the remote) to enter to Pairing Mode. A voice will announce, "Bluetooth is connecting," and you can connect to the speaker manually.

Quickstart Guide



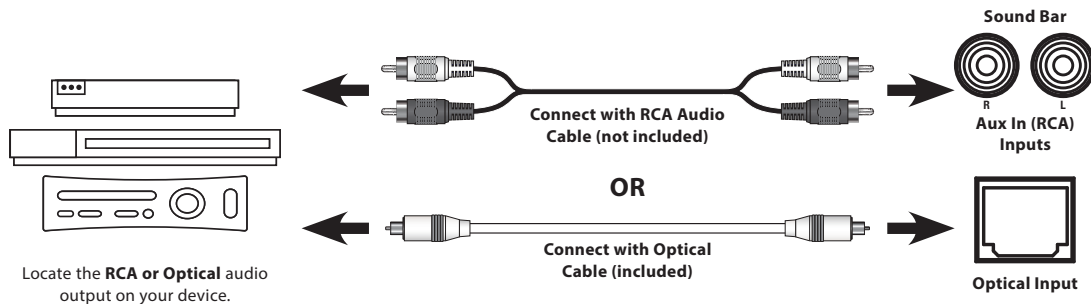
Connecting to a TV with RCA or Optical Audio Cable



Set the TV and sound bar media source to match your chosen audio connection.

You can set the source using the remote or the controls on the sound bar.

Connecting to a DVD player, Gaming Console, or other device with RCA or Optical Audio Cable



Set the device and sound bar media source to match your chosen audio connection.

You can set the source using the remote or the controls on the sound bar.