



USER'S GUIDE
V:2242-0607-10



HC208B

Home Music System with CD Player

For the most up-to-date version of this User's Guide, go to www.gpx.com

Warnings and Precautions

- **CAUTION:** TO PREVENT ELECTRIC SHOCK, MATCH WIDE BLADE OF PLUG TO WIDE SLOT, FULLY INSERT.
- **WARNING:** To reduce the risk of fire or electric shock, do not expose this apparatus to rain or moisture.
- **AVERTISSEMENT:** Pour réduire le risque d'incendie ou de choc électrique, ne pas exposer cet appareil sous la pluie et l'humidité.
- **CAUTION:** Use of any controls or adjustments or performance of procedures other than those herein specified may result in hazardous radiation exposure.
- **WARNING:** Changes or modifications to this unit not expressly approved by the party responsible for compliance could void the user's authority to operate the equipment.
- **WARNING:** Do not place the unit on top of any soft, porous, or sensitive surfaces to avoid damaging the surface. Use a protective barrier between the unit and surface to protect the surface.
- **WARNING:** Use of this unit near fluorescent lighting may cause interference regarding use of the remote. If the unit is displaying erratic behavior move away from any fluorescent lighting, as it may be the cause.
- **CAUTION:** Danger of explosion if battery is incorrectly replaced. Replace only with the same or equivalent type.
- **PRÉCAUTION:** *Danger d'explosion si les piles sont remplacées de façon incorrect. Remplacer les piles seulement par le même type de pile ou l'équivalent.*
- **WARNING:** There is a danger of explosion if you attempt to charge standard Alkaline batteries in the unit. Only use rechargeable NiMH batteries.
- **WARNING:** The remote control's button cell battery contains mercury. Do not put in the trash, instead recycle or dispose of as hazardous waste

- **WARNING:** Lithium batteries, like all rechargeable batteries are recyclable and should be recycled or disposed of in normal household waste. Contact your local government for disposal or recycling practices in your area. They should never be incinerated since they might explode.
- **WARNING:** Shock hazard - Do Not Open.
- **AVIS:** *RISQUE DE CHOC ÉLECTRIQUE - NE PAS OUVRIR*

Mains plug is used as disconnect device and it should remain readily operable during intended use. In order to disconnect the apparatus from the mains completely, the mains plug should be disconnected from the mains socket outlet completely.

La prise du secteur est utilisé pour déconnecter le système.

La prise du secteur ne doit pas être obstruée ou doit être facilement accessible pendant son utilisation. Pour être complètement déconnecté de l'alimentation d'entrée, la prise doit être débranchée du secteur.

Do not mix old and new batteries.

Do not mix alkaline, standard (carbon-zinc), or rechargeable (ni-cad, ni-mh, etc) batteries.

No mezcle baterias viejas y nuevas.

No mezcle baterias alcalinas, estándar (carbono-zinc) o recargables (ni-cad, ni-mh, etc.).



WARNING: TO REDUCE THE RISK OF ELECTRIC SHOCK, DO NOT REMOVE COVER (OR BACK). NO USER-SERVICEABLE PARTS INSIDE. REFER SERVICING TO QUALIFIED SERVICE PERSONNEL.



The lightning flash with arrowhead symbol, within an equilateral triangle, is intended to alert the user to the presence of uninsulated "dangerous voltage" within the product's enclosure that may be of sufficient magnitude to constitute a risk of electric shock to persons.



The exclamation point within an equilateral triangle is intended to alert the user to the presence of important operating and maintenance (servicing) instructions in the literature accompanying the appliance.



This product utilizes a Class 1 laser to read Compact Discs. This laser Compact Disc Player is equipped with safety switches to avoid exposure when the CD door is open and the safety interlocks are defeated. Invisible laser radiation is present when the CD Player's lid is open and the system's interlock has failed or been defeated. It is very important that you avoid direct exposure to the laser beam at all times. Please do not attempt to defeat or bypass the safety switches.

Important Safety Instructions

1. Read these Instructions.
2. Keep these Instructions.
3. Heed all Warnings.
4. Follow all instructions.
5. Do not use this apparatus near water.
6. Clean only with a dry cloth.
7. Do not block any ventilation openings. Install in accordance with the manufacturer's instructions.
8. Do not install near any heat sources such as radiators, heat registers, stoves, or other apparatus (including amplifiers) that produce heat.
9. Do not defeat the safety purpose of the polarized or grounding - type plug. A polarized plug has two blades with one wider than the other. A grounding type plug has two blades and a third grounding prong. The wide blade or the third prong are provided for your safety. When the provided plug does not fit into your outlet, consult an electrician for replacement of the obsolete outlet.
10. Protect the power cord from being walked on or pinched particularly at plugs, convenience receptacles, and the point where they exit from the apparatus.
11. Only use attachments/accessories specified by the manufacturer.



Use only with a cart, stand, tripod, bracket, or table specified by the manufacturer, or sold with the apparatus. When a cart is used, use caution when moving the cart/apparatus combination to avoid injury from tip-over.

13. Unplug this apparatus during lightning storms or when unused for long periods of time.
14. Refer all servicing to qualified service personnel. Servicing is required when the apparatus has been damaged in any way, such as power-supply cord or plug is damaged, liquid has been spilled or objects have fallen into the apparatus, the apparatus has been exposed to rain or moisture, does not operate normally, or has been dropped.

NOTE: This equipment has been tested and found to comply with the limits for a Class B digital device, pursuant to Part 15 of the FCC Rules. These limits are designed to provide reasonable protection against harmful interference in a residential installation. This equipment generates, uses, and can radiate radio frequency energy and, if not installed and used in accordance with the instructions, may cause harmful interference to radio communications. However, there is no guarantee that interference will not occur in a particular installation. If this equipment does cause harmful interference to radio or television reception, which can be determined by turning the equipment off and on, the user is encouraged to try to correct the interference by one or more of the following measures:

- Reorient or relocate the receiving antenna.
- Increase the separation between the equipment and receiver.
- Connect the equipment into an outlet on a circuit different from that to which the receiver is connected.
- Consult the dealer or an experienced radio/TV technician for help.

- The apparatus shall not be exposed to dripping or splashing and that no objects filled with liquids, such as vases, shall be placed on apparatus.

L'appareil ne doit pas être exposé aux écoulements ou aux éclaboussures et aucun objet ne contenant de liquide, tel qu'un vase, ne doit être placé sur l'objet.

- Main plug is used as disconnect device and it should remain readily operable during intended use. In order to disconnect the apparatus from the mains completely, the mains plug should be disconnected from the mains socket outlet completely.

La prise du secteur ne doit pas être obstruée ou doit être facilement accessible pendant son utilisation. Pour être complètement déconnecté de l'alimentation d'entrée, la prise doit être débranchée du secteur.

- Battery shall not be exposed to excessive heat such as sunshine, fire or the like.

Les piles ne doivent pas être exposées à de forte chaleur, tel qu'à la lumière du soleil, au feu ou autres choses de semblable.

- Caution marking is located at the rear or back of the apparatus. *Attention marquage est situé à l'arrière ou à l'arrière de l'appareil*

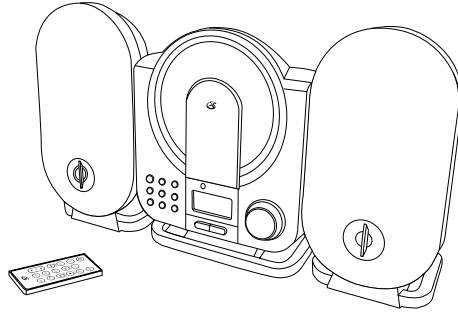
- The marking information is located at the rear or back of apparatus. *Les informations de marquage est situé à l'arrière ou à l'arrière de l'appareil.*



This symbol indicates that this product incorporates double insulation between hazardous mains voltage and user accessible parts.

In the Box

- HC208B
- Remote Control
- Documentation

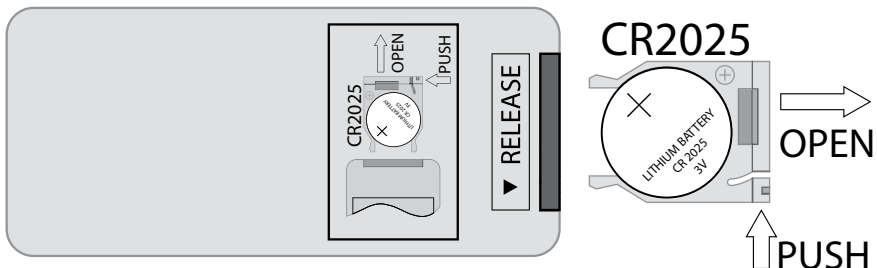


Features

- Vertical-Load Disc Player
- Plays CD/CD-R/CD-RW Audio Tracks
- AM/FM Radio with Digital Readout
- Digital Volume Control
- Blue Backlit LCD Display
- Digital Clock
- Full-Range Stereo Speakers
- Stereo Line-In Jack for other Audio Player, 3.5mm type
- Remote Control
- AC-Power: Built-in AC Line Cord
- Removable Stands / Wall-Mountable

Changing the Remote Battery

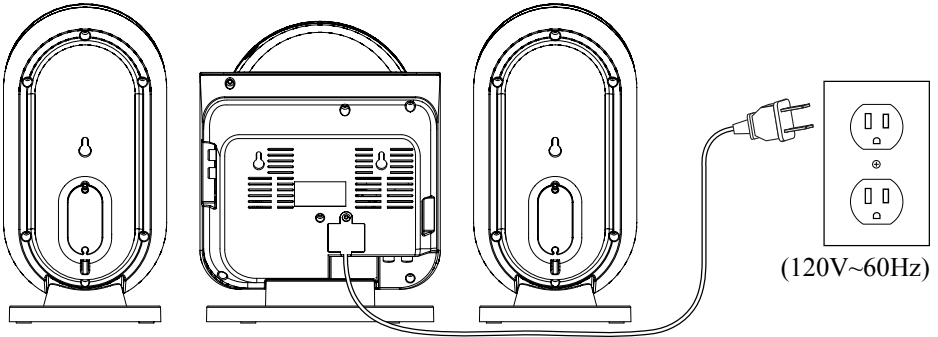
WARNING: Danger of explosion if the remote control's batteries are incorrectly installed. Replace only with the same or equivalent battery.



1. Push the Release Button and pull out the Battery Compartment to access the battery.
2. Replace the old battery with an equivalent new battery (CR2025).
3. The positive side of the battery, as indicated by a plus symbol, must be facing up when inserted into the remote.

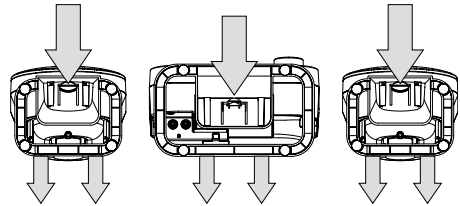
Powering the Unit

The unit is powered by connecting the attached AC Cord to a standard AC Outlet (120V~60Hz)



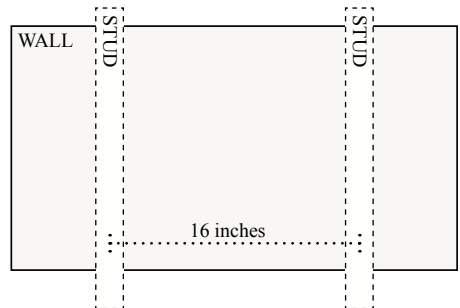
Mounting the Unit to a Wall

1. Remove the table stand from the unit by pulling the tabs, located on the bottom of the unit and speakers, away from and towards the back of the unit.
2. After the stands are removed from the speakers and the main unit, designate a location for the unit to hang.
3. The speakers can be held by a single nail or screw and the main unit is held by two nails or screws.



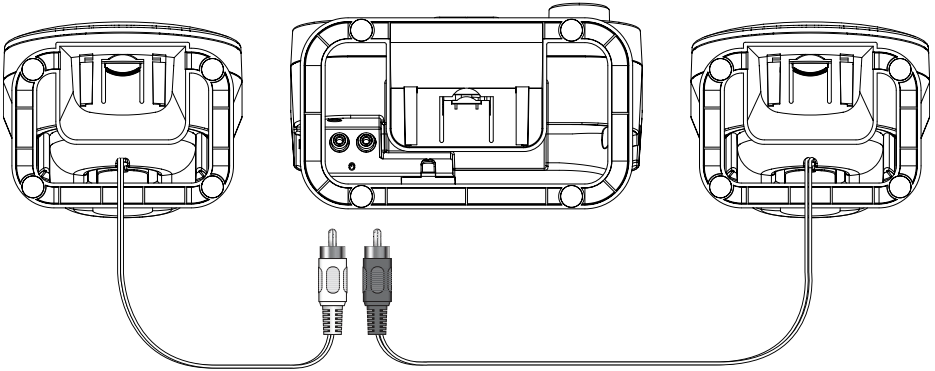
Be sure to drill or nail into the studs of the wall to ensure a firm and sturdy hold. Most houses have the wall studs spaced on sixteen inch centers.

To ensure a reliable and sturdy installation, please consult a professional installer before mounting the unit to a wall.



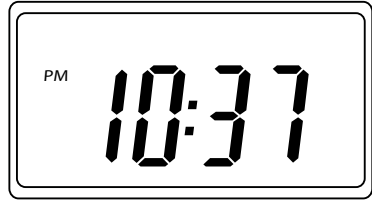
Connecting the Speakers

1. The plug attached to the Right Speaker is red, and the plug for the Left Speaker is white.
 2. These plug colors correspond with the **Speaker Output** on the bottom of the unit.
 3. Plug the red plug, from the Right Speaker, into the red **Speaker Output**, and plug the white plug, from the Left Speaker, into the white **Speaker Output**.
 4. Audio played from the unit will now be heard through the connected speakers.
-



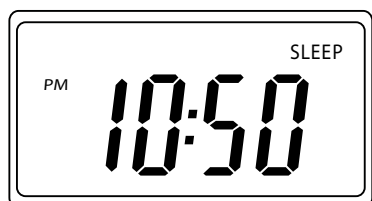
Setting the Clock

1. Power the unit off by pressing the **Power Button**.
2. Press and hold the **CLK Set Button**.
The hour will begin to blink, indicating that it can be edited.
3. Press the **Skip/Search Buttons** to adjust the hour.
4. Press the **CLK Set Button**.
The minute will begin to blink, indicating that it can be edited.
5. Press the **Skip/Search Buttons** to adjust the minute.
6. Press the **CLK Set Button**.



Using the Sleep Timer

1. With the unit powered on, press the **Sleep Button** consecutively to set the sleep timer from 10 to 90 minutes (in ten minute increments) or to turn the sleep timer off.
2. When the sleep timer is set, the sleep indicator in the LCD display will be present.
3. After the sleep time has expired, the unit will power off.

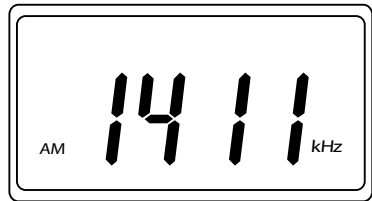


Tuning the AM/FM Radio

1. Power the unit on by pressing the **Power Button**.
2. Press the **Function Button** to switch the unit to AM/FM Radio Mode.

An “AM” or “FM” will appear in the LCD display to indicate AM/FM Radio Mode.

3. Press the **Stop/Band Button** to switch between AM or FM radio.
4. Turn the **Tuning Dial** to adjust the frequency for the AM and FM radio.

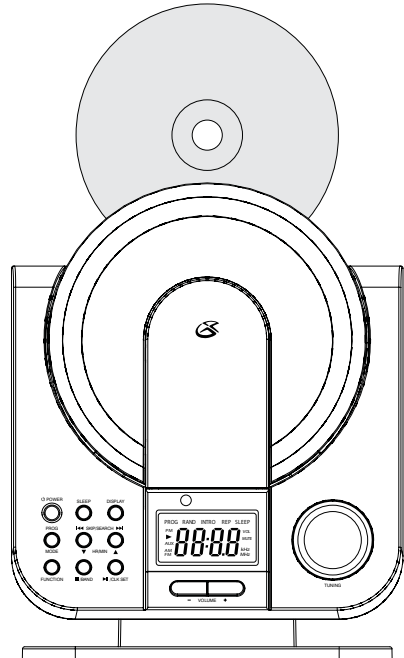


Playing a CD

1. Power the unit on by pressing the **Power Button**.
2. Open the CD Door using the semi-circular notch on the top of the unit, and insert a CD or CD-R/RW. Close the CD Door.
3. Press the **Function Button** to switch to CD Mode.

Initially, CD Mode will be indicated by flashing dashes in the LCD display. When the CD loads, these dashes will be replaced by track numbers.

4. Press the **Play Button** to play the loaded CD.
5. Press the **Skip/Search Buttons** to skip through tracks. Press and hold the **Skip/Search Buttons** to search through individual tracks on the CD.



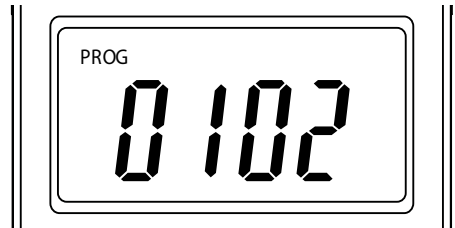
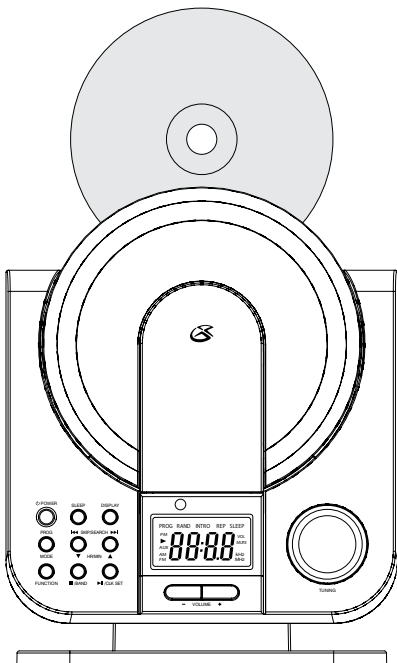
Programming a CD

1. Power the unit on by pressing the **Power Button**.
 2. Load a CD, and switch to CD Mode. (*See Playing a CD on page 9*)
 3. Press the **Program Button**.
-

Two numbers will appear on the LCD display. The number on the left represents the program track number and the number on the right represents the CD track number. The CD track will blink, indicating that it can be edited.

4. Press the **Skip/Search Buttons** to adjust the CD track.
 5. Press the **Program Button** to set the selected CD track to the program track number.
-

Up to 20 CD tracks can be programmed.



Using the Line Input

When connecting two products using an RCA Cable, match the colored ports with the same colored connection. (Red to Red, White to White, and Yellow to Yellow)

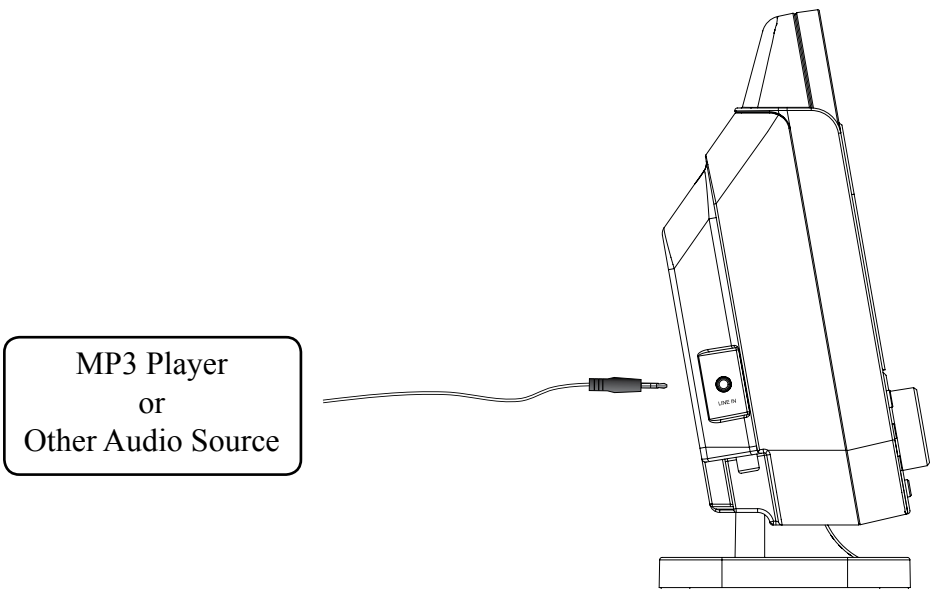
1. Plug one end of a 3.5 mm Cable (not included) or a 3.5 mm - RCA Cable (not included) into the **Line Input** on the unit.
2. Plug the other end of the 3.5 mm Cable into the audio output/headphone output on an Mp3 Player or Other Audio Source.
3. Press the **Power Button** to turn the unit on.
4. Press the **Function Button** to switch the unit to Aux Mode.

The word “Aux” will appear in the LCD Display to indicate that the unit is in Aux Mode.

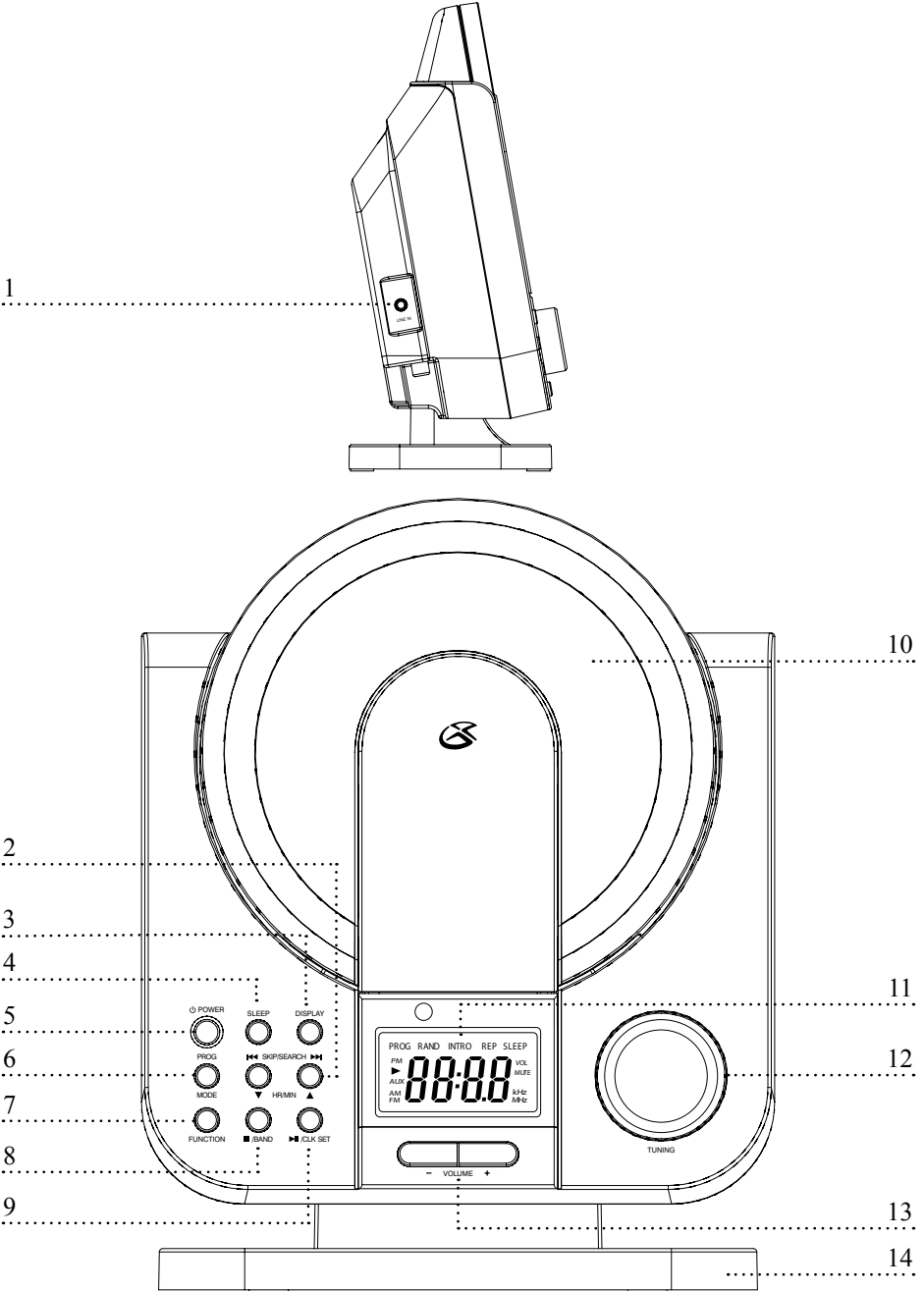
5. Audio played from the Mp3 Player or Other Audio Source will now be heard on the unit.

If connecting to the headphone output of an audio source, the source’s volume controls may need to be adjusted for optimal sound.

The unit must be connected to speakers via the Speaker Output in order to output audio.



Controls



Definitions

1 Line Input

Use the Line Input to connect the unit to an MP3 Player or other audio source.

2 Skip/Search/HR/MIN/DN/UP Buttons

Press the Skip/Search/HR/MIN/DN/UP Buttons to skip or search through CD tracks or to adjust the hour and minute when setting the clock.

3 Display Button

Press the Display Button to switch between the current function and clock on the LCD display.

4 Sleep Button

Press the Sleep Button consecutively to set the sleep timer from 10 to 90 minutes (in ten minute increments) or to turn the sleep timer off.

5 Power Button

Press the Power Button to turn the unit off or on.

6 Program/Mode Button

In stop mode, press the Program Button to program up to 20 CD tracks to play in a particular order. In play mode, press the Mode Button to set the CD to repeat a single track or entire album, or to set the CD to play in random or intro mode.

7 Function Button

Press the Function Button to switch between Radio, Aux, and CD Mode.

8 Stop/Band Button

Press the Stop/Band Button to stop a CD during play or to switch between AM and FM in Radio Mode.

9 Play/CLK Set

Press the Play Button to play a CD. Press and hold the CLK Set Button, when the unit is off, to set the clock.

10 CD Door

Manually open and close the CD Door to load CDs or CD-R/RW

11 LCD Display

The LCD Display displays unit/function information and the time.

12 Tuning Dial

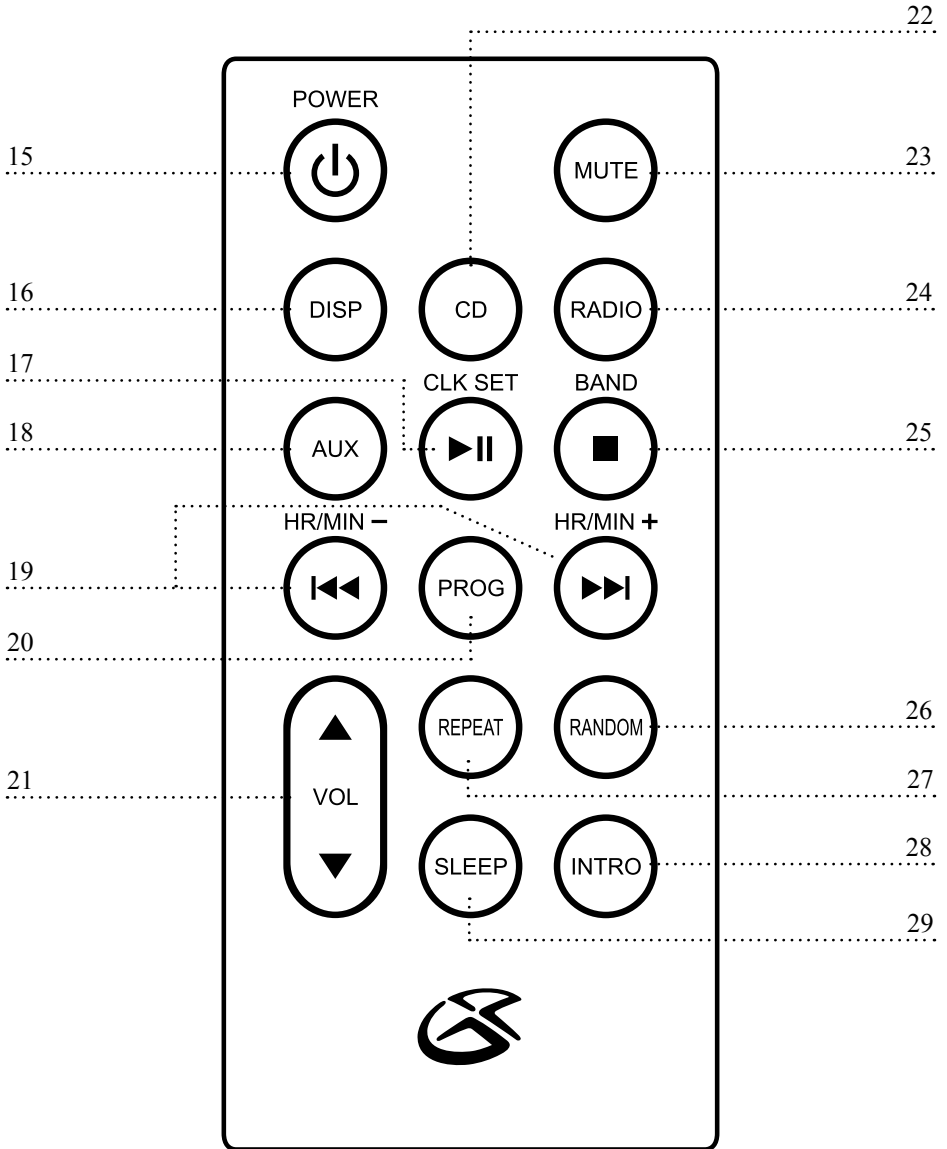
Use the Tuning Dial to adjust the AM and FM radio frequency.

13 Volume Buttons

Use the Volume Buttons to adjust the volume of audio output from the unit.

14 Table Stand

The unit's Table Stand can be removed when hanging the unit on a wall.



Definitions

15 Power Button

Press the Power Button to turn the unit off and on.

16 Display Button

Press the Display Button to switch between the current function and the time on the LCD display.

17 Play/Pause/CLK Set Button

Press the Play/Pause Button to play and pause a CD. Press and hold the CLK Set Button to adjust the clock.

18 Aux Button

Press the Aux Button to enter Aux Mode.

19 Skip/Search/HR/MIN/DN/UP Buttons

Press the Skip/Search/HR/MIN/DN/UP Buttons to skip or search through CD tracks or to adjust the hour and minute when setting the clock.

20 Program Button

Press the Program Button to program up to 20 CD tracks to play in a particular order.

21 Volume Button

Use the Volume Buttons to adjust the volume of audio output from the unit.

22 CD Button

Press the CD Button to switch to CD Mode.

23 Mute Button

Press the Mute Button to decrease the audio output volume entirely.

24 Radio Button

Press the Radio Button to switch the unit to Radio Mode.

25 Stop/Band Button

Press the Stop/Band Button to stop a CD during play or to switch between AM and FM in Radio Mode.

26 Random Button

Press the Random Button to play tracks from a CD in a random order.

27 Repeat Button

Press the Repeat Button to repeat an individual song or to repeat an entire album.

The Repeat Indicator on the LCD Display will blink when repeating an individual song and be steady when repeating an entire album.

28 Intro Button

Use the Intro Button to sample the first 10 seconds of each song played from a CD.

29 Sleep Button

Press the **Sleep Button** consecutively to set the sleep timer from 10 to 90 minutes (in ten minute increments) or to turn the sleep timer off.

Company Information

International Support

To download this User's Guide in English, Spanish, or French, visit the support section at www.gpx.com.

Para transferir esta guía de usuario en inglés, español, o francés, visite la sección de la ayuda en www.gpx.com.

Pour télécharger ce guide de l'utilisateur en anglais, espagnol, ou français, visitez la section de soutien chez www.gpx.com.

Contact Information

Phone: 1-888-999-4215

Email: prodinfo@gpx.com

Parts Email: partsinfo@dpi-global.com

Website: www.gpx.com