



# USER'S GUIDE

V: 488-01

## BD702B

### Portable Movie + Music System

---

For the most up-to-date version of this User's Guide, go to [www.gpx.com](http://www.gpx.com)

# Warnings and Precautions

- **CAUTION:** TO PREVENT ELECTRIC SHOCK, MATCH WIDE BLADE OF PLUG TO WIDE SLOT, FULLY INSERT.
- **WARNING:** To reduce the risk of fire or electric shock, do not expose this apparatus to rain or moisture.
- **AVERTISSEMENT:** Pour réduire le risque d'incendie ou de choc électrique, ne pas exposer cet appareil sous la pluie et l'humidité.
- **CAUTION:** Use of any controls or adjustments or performance of procedures other than those herein specified may result in hazardous radiation exposure.
- **WARNING:** Changes or modifications to this unit not expressly approved by the party responsible for compliance could void the user's authority to operate the equipment.
- **WARNING:** Do not place the unit on top of any soft, porous, or sensitive surfaces to avoid damaging the surface. Use a protective barrier between the unit and surface to protect the surface.
- **WARNING:** Use of this unit near fluorescent lighting may cause interference regarding use of the remote. If the unit is displaying erratic behavior move away from any fluorescent lighting, as it may be the cause.
- **CAUTION:** Danger of explosion if battery is incorrectly replaced. Replace only with the same or equivalent type.
- **PRÉCAUTION:** *Danger d'explosion si les piles sont remplacées de façon incorrect. Remplacer les piles seulement par le même type de pile ou l'équivalent.*
- **WARNING:** The battery, batteries, and battery pack shall not be exposed to excessive heat such as sunshine, fire, or the like.
- **WARNING:** Lithium batteries, like all rechargeable batteries are recyclable and should be recycled or disposed of in normal household waste. Contact your local government for disposal or recycling practices in your area. They should never be incinerated since they might explode.
- **WARNING:** Shock hazard - Do Not Open.
- **AVIS:** *RISQUE DE CHOC ÉLECTRIQUE - NE PAS OUVRIR*

Mains Plug or Direct plug-in adapter is used as disconnect device and it should remain readily operable during intended use. In order to disconnect the apparatus from the mains completely, the Mains Plug or Direct plug-in adapter should be disconnected from the mains socket outlet completely.

*La fiche d'alimentation ou adaptateur de courant est utilisé comme dispositif de déconnexion et doit rester accessible pendant l'utilisation. Pour mettre l'appareil hors tension, la fiche ou adaptateur de courant doit être débranché de la prise de courant.*

Do not mix old and new batteries.  
Do not mix alkaline, standard (carbon-zinc), or rechargeable (ni-cad, ni-mh, etc) batteries.  
*No mezcle baterías viejas y nuevas.  
No mezcle baterías alcalinas, estándar (carbono-zinc) o recargables (ni-cad, ni-mh, etc.).*



**WARNING:** TO REDUCE THE RISK OF ELECTRIC SHOCK, DO NOT REMOVE COVER (OR BACK). NO USER-SERVICEABLE PARTS INSIDE. REFER SERVICING TO QUALIFIED SERVICE PERSONNEL.



The lightning flash with arrowhead symbol, within an equilateral triangle, is intended to alert the user to the presence of uninsulated "dangerous voltage" within the product's enclosure that may be of sufficient magnitude to constitute a risk of electric shock to persons.




The exclamation point within an equilateral triangle is intended to alert the user to the presence of important operating and maintenance (servicing) instructions in the literature accompanying the appliance.



This product utilizes a Class 1 laser to read Compact Discs. This Laser Compact Disc Player is equipped with safety switches to avoid exposure when the CD door is open and the safety interlocks are defeated. Invisible laser radiation is present when the CD Player's lid is open and the system's interlock has failed or been defeated. It is very important that you avoid direct exposure to the laser beam at all times. Please do not attempt to defeat or bypass the safety switches.

# Important Safety Instructions

1. Read these Instructions.
2. Keep these Instructions.
3. Heed all Warnings.
4. Follow all instructions.
5. Do not use this apparatus near water.
6. Clean only with a dry cloth.
7. Do not block any ventilation openings. Install in accordance with the manufacturer's instructions.
8. Do not install near any heat sources such as radiators, heat registers, stoves, or other apparatus (including amplifiers) that produce heat.
9. Do not defeat the safety purpose of the polarized or grounding - type plug. A polarized plug has two blades with one wider than the other. A grounding type plug has two blades and a third grounding prong. The wide blade or the third prong are provided for your safety. When the provided plug does not fit into your outlet, consult an electrician for replacement of the obsolete outlet.
10. Protect the power cord from being walked on or pinched particularly at plugs, convenience receptacles, and the point where they exit from the apparatus.
11. Only use attachments/accessories specified by the manufacturer.
12.  Use only with a cart, stand, tripod, bracket, or table specified by the manufacturer, or sold with the apparatus. When a cart is used, use caution when moving the cart/apparatus combination to avoid injury from tip-over.
13. Unplug this apparatus during lightning storms or when unused for long periods of time.
14. Refer all servicing to qualified service personnel. Servicing is required when the apparatus has been damaged in any way, such as power-supply cord or plug is damaged, liquid has been spilled or objects have fallen into the apparatus, the apparatus has been exposed to rain or moisture, does not operate normally, or has been dropped.

**Special note:** When placing your unit on a lacquered or natural finish, protect your furniture with a cloth or other protective material.

## FCC Warnings

**WARNING:** Changes or modifications to this unit not expressly approved by the party responsible for compliance could void the user's authority to operate the equipment.

**NOTE:** This equipment has been tested and found to comply with the limits for a Class B digital device, pursuant to Part 15 of the FCC Rules. These limits are designed to provide reasonable protection against harmful interference in a residential installation. This equipment generates, uses, and can radiate radio frequency energy and, if not installed and used in accordance with the instructions, may cause harmful interference to radio communications. However, there is no guarantee that interference will not occur in a particular installation. If this equipment does cause harmful interference to radio or television reception, which can be determined by turning the equipment off and on, the user is encouraged to try to correct the interference by one or more of the following measures:

- Reorient or relocate the receiving antenna.
- Increase the separation between the equipment and receiver.
- Connect the equipment into an outlet on a circuit different from that to which the receiver is connected.
- Consult the dealer or an experienced radio/TV technician for help.

## Additional Warnings

- The apparatus shall not be exposed to dripping or splashing and that no objects filled with liquids, such as vases, shall be placed on apparatus.  
*L'appareil ne doit pas être exposé aux écoulements ou aux éclaboussures et aucun objet ne contenant de liquide, tel qu'un vase, ne doit être placé sur l'objet.*
- Battery shall not be exposed to excessive heat such as sunshine, fire or the like.  
*Les piles ne doivent pas être exposées à de forte chaleur, tel qu'à la lumière du soleil, au feu ou autres choses de semblable.*
- Caution marking is located at the rear or bottom of the apparatus.  
*Attention marquage est situé sur le panneau arrière ou inférieur de l'unité.*
- The marking information is located at the rear or bottom of apparatus.  
*Le marquage est situé sur le panneau arrière ou inférieur de l'unité.*



This symbol indicates that this product incorporates double insulation between hazardous mains voltage and user accessible parts.

This product incorporates copyright protection technology that is protected by U.S. patents and other intellectual property rights. Use of this copyright protection technology must be authorized by Rovi Corporation, and is intended for home and other limited viewing uses only unless otherwise authorized by Rovi Corporation. Reverse engineering and disassembly are prohibited.

## BD702B

### Features

- 7" TFT LCD display
- 480 x 234 native resolution
- Aspect ratio: 16:9, 4:3LB, 4:3PS
- DVD player: DVD, DVD±R/RW
- CD player: CD, CD-R/RW, JPEG CD
- Karaoke: CD+G
- AM/FM Radio (direct tuning)
- Top-load disc player
- Built-in stereo speakers
- Composite video output
- USB port: supports JPEG, MP3 file formats
- SD memory card reader: supports JPEG, MP3
- 3.5mm audio/video input
- Microphone input
- RCA stereo audio outputs
- Remote with DVD and CD controls
- Stereo headphone jack
- AC power input: requires an AC power cable (included)
- DC battery power: requires 8 C batteries (not included)
- Battery life: ~3.5 hours

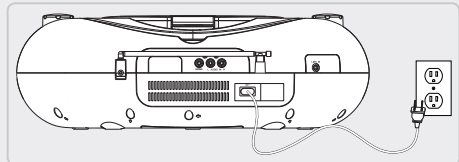
### Included

- Remote control: requires a CR2025 battery (pre-installed)
- A/V Cable
- 3.5mm to RCA audio/video adapter
- AC power cable

## Setup

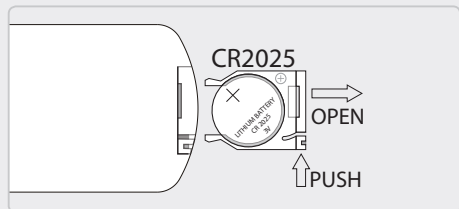
### Power

AC power input: requires an AC power cable (included)



### Remote

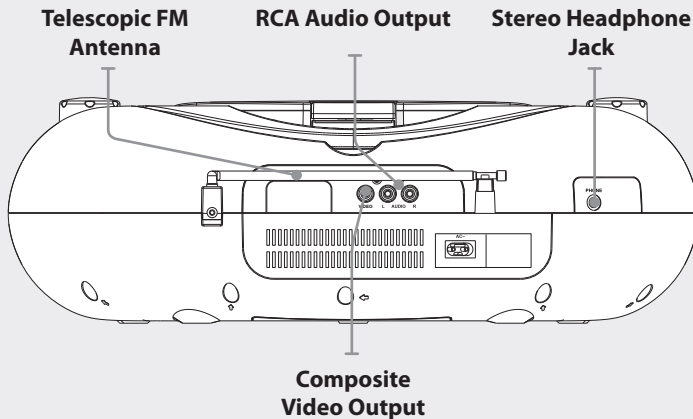
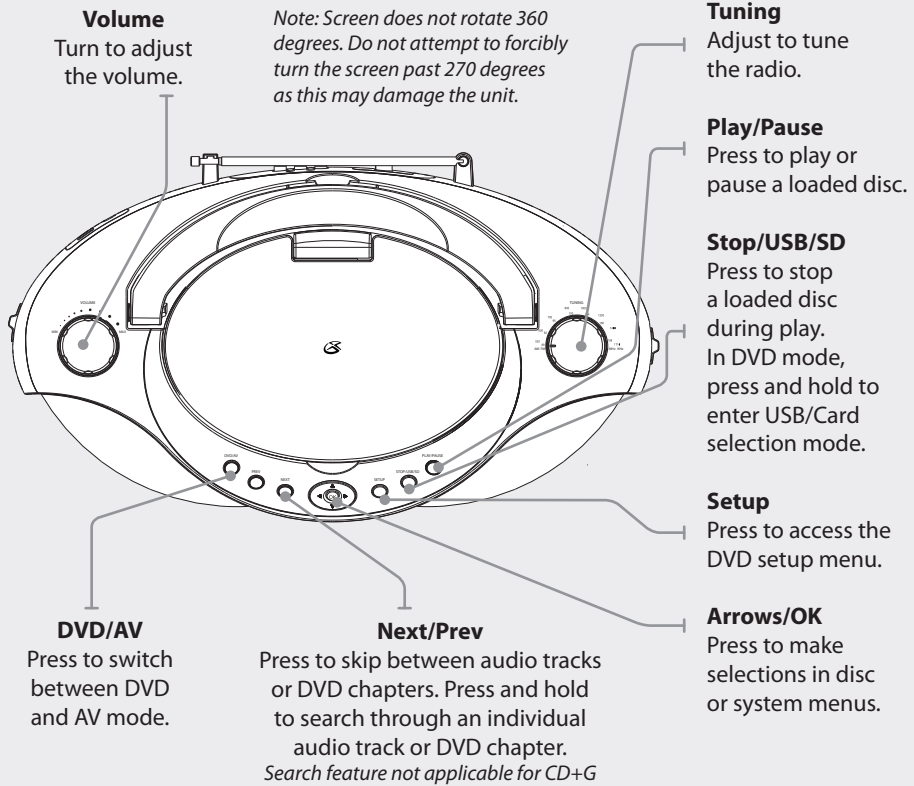
Requires a CR2025 battery (pre-installed)

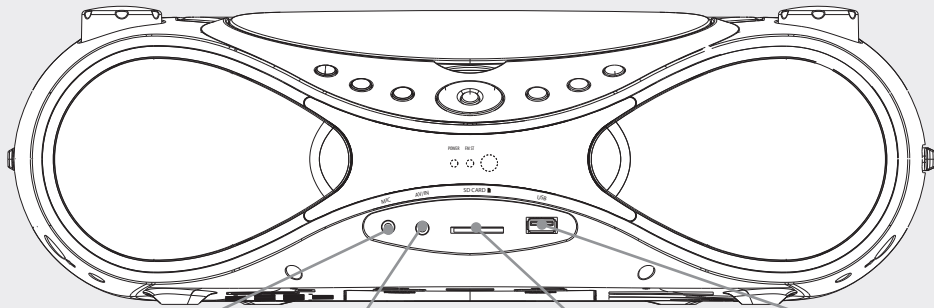


## Table of Contents

<b>BD702B</b> .....	4
Features	
Included	
<b>Setup</b> .....	4
Power	
Remote	
<b>Table of Contents</b> .....	5
<b>Introduction</b> .....	6
<b>Setup</b> .....	8
<b>CD and DVD</b> .....	9
Loading a CD	
Playing a CD	
Programming a CD	
Loading a DVD	
Playing a Loaded DVD	
Programming a DVD	
<b>FM Radio, SD Card Slot &amp; USB</b> .....	10
Playing the Radio	
Radio Reception	
Connecting a SD Memory Card	
Accessing Content on a SD Memory Card	
Connecting a USB Thumb Drive	
Accessing Content on a USB Thumb Drive	
<b>AV Input &amp; AV Outputs</b> .....	11
Using the Composite Video Output	
RCA Audio Output	
Using the AV Input	
<b>Company Information</b> .....	12
International Support	
Contact Information	
Warranty	
Green Initiative	

## Introduction



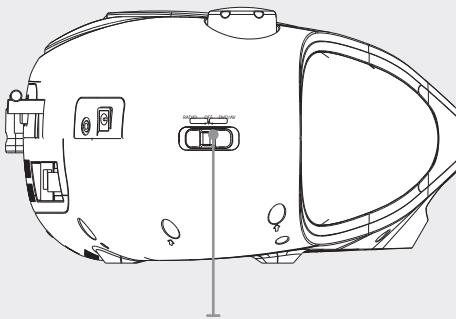


**Mic Input**

**AV Input**

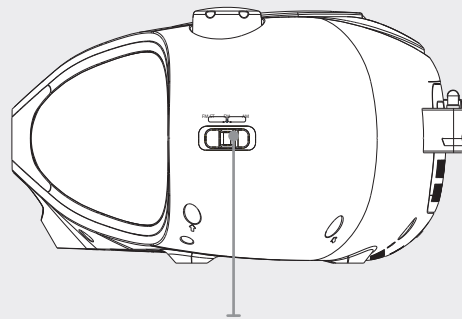
**SD Card Slot**

**USB Port**



**Radio/OFF/DVD/AV**

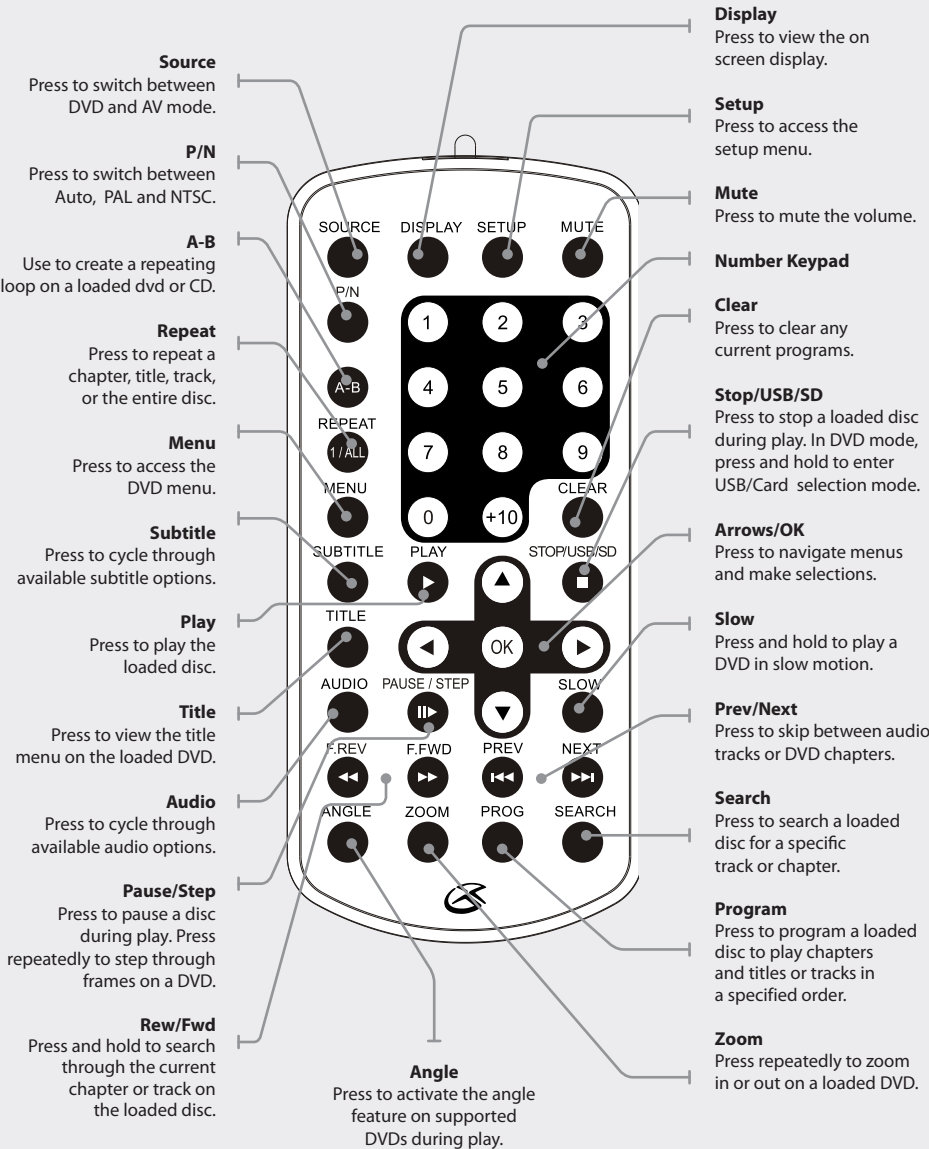
Adjust to switch  
between Radio, Off,  
and DVD/AV mode.



**FM ST/FM/AM**

Adjust to switch between  
FM Stereo, FM and  
AM radio mode.

# Setup



## CD and DVD

### Loading a CD

1. Open the **Disc Door**.
2. Place a CD, CD-R/RW, or CD+G into the unit, label side facing up.
3. Close the **Disc Door**.

### Playing a CD

1. Follow the instructions for [Loading a CD](#).
2. Adjust the **Radio/OFF/DVD/AV** switch to DVD/AV mode.
3. To use the karaoke function, plug a microphone (not included) into the **Mic Input**.
4. Press the **Play/Pause** button to begin playing the loaded CD.

### Programming a CD

1. Follow the instructions for [Loading a CD](#) and [Playing a CD](#).
2. Press the **Stop** button to stop the CD during play.
3. Press the **Program** button on the remote.
4. Use the **Number Keypad** and **Arrow** buttons to enter the desired track number.
5. Repeat step 3 until the desired number of CD tracks are programmed.
6. Highlight the on-screen "Play" button and press the **OK** button on the remote to begin playing the programmed tracks.

### Loading a DVD

1. Gently lift open the **Disc Door**.
2. Load a disc into the DVD player, label side facing up.
3. Manually close the **Disc Door**.
4. Adjust the **Radio/OFF/DVD/AV** switch to DVD/AV mode.

### Playing a Loaded DVD

1. Follow the instructions for [Loading a DVD](#).
2. If the disc does not begin playing automatically, press the **Play/Pause** button.

### Programming a DVD

1. Follow the instructions for [Loading a DVD](#) and [Playing a Loaded DVD](#).
2. While the loaded disc is playing, press the **Program** button on the remote.
3. Use the **Number Keypad** and **Arrow** buttons to enter in the titles and chapters in the order you want to view them.  
*DVD Titles will play in the order they are programmed.*
4. Repeat step 3 until the desired DVD titles and chapters are programmed.
5. Highlight the on-screen "Play" button and press the **OK** button on the remote to begin playing the programmed titles and chapters.

## FM Radio, SD Card Slot & USB

### Playing the Radio

1. Adjust the **Radio/OFF/DVD/AV** switch to Radio mode.
2. Adjust the **FM ST/FM/AM** switch to the desired position.
3. Adjust the **Tuning** dial to tune the radio.

### Radio Reception

Adjust the position of the **Telescopic FM Antenna** to improve FM radio reception.

An AM antenna is built into the unit. To improve AM radio reception, adjust the position of the unit.

### Connecting a SD Memory Card

1. Insert a SD memory card into the **SD Card Slot**.

### Accessing Content on a SD Memory Card

1. Follow the instructions for [Connecting a Memory Card](#).
2. In DVD mode, press and hold the **STOP/DVD/SD** button to enter USB/Card selection mode.
3. Press the up or down **Arrow** buttons and then press the **OK** button to select Card mode.
4. Use the **Arrow** and **OK** buttons to select and play content from the connected SD memory card.

### Connecting a USB Thumb Drive

1. Insert a USB thumb drive into the **USB Port**.

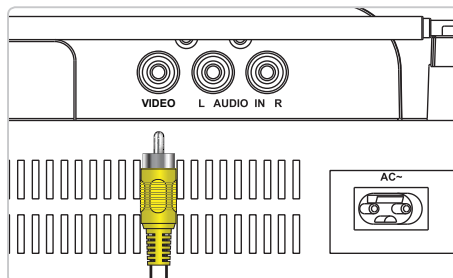
### Accessing Content on a USB Thumb Drive

1. Follow the instructions for [Connecting a USB Thumb Drive](#).
2. In DVD mode, press and hold the **STOP/DVD/SD** button to enter USB/Card selection mode.
3. Press the up or down **Arrow** buttons and then press the **OK** button to select USB mode.
4. Use the **Arrow** and **OK** buttons to select and play content from the connected USB thumb drive.

## AV Input & AV Outputs

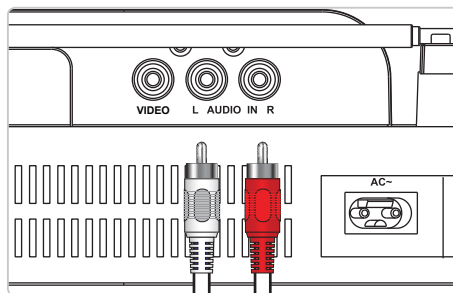
### Using the Composite Video Output

1. Connect an RCA AV cable (included) to the **Composite Video Output** and a television.
2. Adjust the connected television to the proper input setting.
3. Video from a loaded disc can now be played through the unit to the connected television.



### RCA Audio Output

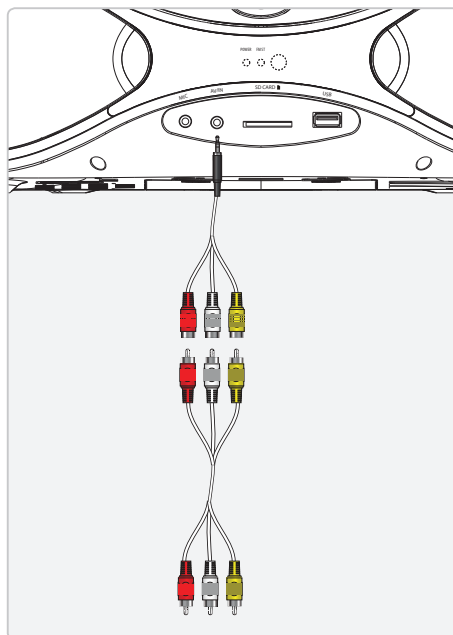
1. Connect an RCA AV cable (included) to the **RCA Audio Output** and a television.
2. Adjust the connected television to the proper input setting.
3. Sound from a loaded disc can now be played through the unit to the connected television.



### Using the AV Input

Requires an 3.5mm to RCA audio/video adapter (included).

1. Connect the included 3.5mm to RCA audio/video adapter to the **AV Input** and the RCA output on an another device.  
*Note: You may also need to plug an RCA AV cable (included) into the adapter to finish connecting.*
2. Adjust the **Radio/OFF/DVD/AV** switch to DVD/AV mode.
3. Press the **DVD/AV** button to switch to AV mode.
4. Use the native controls on the connected device to play your audio/video through the unit.



## Company Information

### International Support

To download this User's Guide in English, Spanish, or French, or to get answers to frequently asked questions, visit the support section at [www.gpx.com](http://www.gpx.com).

Para descargar este Manual del Usuario en inglés, español y francés, o para obtener respuestas a preguntas frecuentes, visite la sección de apoyo en [www.gpx.com](http://www.gpx.com).

Pour télécharger ce guide de l'utilisateur en anglais, espagnol ou français, ou pour obtenir des réponses à des questions fréquemment posées, consultez la rubrique d'assistance sur [www.gpx.com](http://www.gpx.com).

### Contact Information

**Email Support:** [prodinfo@dpiinc.com](mailto:prodinfo@dpiinc.com)

**Email Parts:** [partsinfo@dpiinc.com](mailto:partsinfo@dpiinc.com)

**Phone Support:** 1-888-999-4215

**Website:** [www.gpx.com](http://www.gpx.com)

### Warranty

For Warranty Information and the most up-to-date version of this User's Guide, go to: [www.gpx.com](http://www.gpx.com)

### Green Initiative



Environmental Commitment to 'Protect for Today and Sustain for Tomorrow'  
On a continual basis DPI, Inc. is making efforts to sustain the environment and improve the recyclability of its products and packaging.

Focusing on "protecting for today and sustaining for tomorrow" DPI, Inc. has committed to reducing packaging size, increasing the usage of recyclable plastics, and ensuring that packaging and manuals are made with up to 85% recycled material. In addition to material consideration, DPI, Inc. has also focused on the finer details that positively impact the environment such as employing the usage of soy-based inks.

DPI, Inc. also ensures that the factories that produce the company's wide variety of consumer electronics adhere to environmentally friendly air and water restrictions. This is yet another example that every step of the way DPI, Inc. is making efforts to lessen any impact on the environment.

In 2011 DPI, Inc. also began conversations with Energy Star in order to ensure that the consumer electronics being produced meet high standards of energy efficiency. The ultimate goal is keeping energy costs for consumers low while providing quality, feature-rich products.